

JIANGSU SHIXIN LANDSCAPE LIGHTING CO.,LTD



Type	Specification	EXW Unit Price (USD)			
------	---------------	----------------------	--	--	--

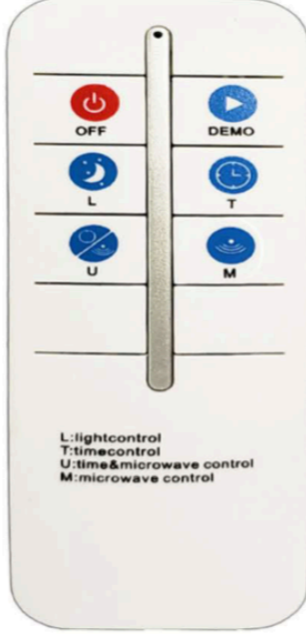






SX-TYN-30W	Features: 1. Best Materials- Aluminum alloy and outdoor PC + Thick leaf heat sink + complete-plate-made support= Strong + Best Heat dissipation, 2. Colorful flashlight on lamp as decoration lamp, can turn on / off this function at will. 3. Solar panel seperated, installation directions and the capacity of solar panel can change at will. 4. Stable microwave sensor, longger detect distance 5. 140°wide lighting angle, bring same lighting results with shotor pole 6. Easier to maintance than other model, change battery just need 1 min. 7. Constant current discharge stable lighting + Night sensor + Microwave motion sensor + Time Controller (6,8,10,12hrs for choose)+ Remoter.	Sample	192	100+pcs	188
-------------------	---	---------------	------------	----------------	------------

LED	Bridgelux chips3030 (Life time 10000hours)	Lighting Mode			
Lumen(LM)	3000LM	<ul style="list-style-type: none"> No matter day or night, light "OFF" No matter day or night, light "on" for 1 minute. At night, 12hrs full power. At night, 4hrs full power+8hrs 30% At night, 4hrs full power+8hrs motion sensor control. At night, 12hrs motion sensor control. 			
Colour Temperture	6000K ~6500K (it can be customized)				
Li-ion Battery	24AH 11.1V				
Solar Panel	18V50W Imported High Efficiency Monocrystalline Silicon				
Install Pole diameter	60-65mm				
Mounting Height	4~6m (Suggest install between space10-20m)				
Solar Charging Time	4-5 hurs by bright sunlight				
Cloudy/Rainy days	10 -12Cloudy/Rainy days				

Material	High Class Aluminum (Appearance useimitation marble paint)	Packing: LED Lamp Packing Size:690*340*300MM Q'ty/ctn:1Set G.W:12KG Solar Panel Packing Size: 750*580*80MM Q'ty/ctn:1Set G.W:6.3KG Packs Containers: 20GP:280Sets 40GP:570Sets 40HP:680Sets
Product Size	598*230*261mm	
LED Lamp	40PCS	
Motion sensor	Yes (Microwave Sensor)	
Remote Control	Yes (each per remote control)	
Waterproof	IP67	
Working Temperture	-25°C to 65°C	
Certificates	CE、ROHS、IP65	
Warranty	5Years	

SHIXIN LIGHTING 14th years Gold Supplier

Jiangsu ShiXin Landscape Lighting Co.,Ltd.

SX-TYN-40W	Features: 1. Best Materials- Aluminum alloy and outdoor PC + Thick leaf heat sink + complete-plate-made support= Strong + Best Heat dissipation, 2. Colorful flashlight on lamp as decoration lamp, can turn on / off this function at will. 3. Solar panel separated, installation directions and the capacity of solar panel can change at will. 4. Stable microwave sensor, longer detect distance 5. 140° wide lighting angle, bring same lighting results with short pole 6. Easier to maintain than other model, change battery just need 1 min. 7. Constant current discharge stable lighting + Night sensor + Microwave motion sensor + Time Controller (6,8,10,12hrs for choose)+ Remote.		Sample	211	100+pcs	206
	LED	Bridgelux chips3030 (Life time 100000hours)	Lighting Mode			
	Lumen(LM)	4000LM	 <ul style="list-style-type: none">  No matter day or night, light "OFF"  No matter day or night, light "on" for 1 minute.  At night, 12hrs full power.  At night, 4hrs full power+8hrs 30%  At night, 4hrs full power+8hrs motion sensor control.  At night, 12hrs motion sensor control. 			
	Colour Temperature	6000K ~6500K (it can be customized)				
	Li-ion Battery	28AH 11.1V				
	Solar Panel	18V65W Imported High Efficiency Monocrystalline Silicon				
	Install Pole diameter	60-65mm				
	Mounting Height	5~7m (Suggest install between space 15-25m)				
	Solar Charging Time	4-5 hours by bright sunlight				
	Cloudy/Rainy days	10 -12 Cloudy/Rainy days				
	Material	High Class Aluminum (Appearance use imitation marble paint)				
	Product Size	598*230*261mm				
	LED Lamp	40PCS				
	Motion sensor	Yes (Microwave Sensor)				
	Remote Control	Yes (each per remote control)				
Waterproof	IP67					
Working Temperature	-25°C to 65°C					
Certificates	CE、ROHS、IP65					
Warranty	5 Years					
		Packing: LED Lamp Packing Size: 690*340*300MM Q'ty/ctn: 1 Set G.W: 12.3KG Solar Panel Packing Size: 820*580*80MM Q'ty/ctn: 1 Set G.W: 7.2KG Packs Containers: 20GP: 250 Sets 40GP: 520 Sets 40HP: 620 Sets				

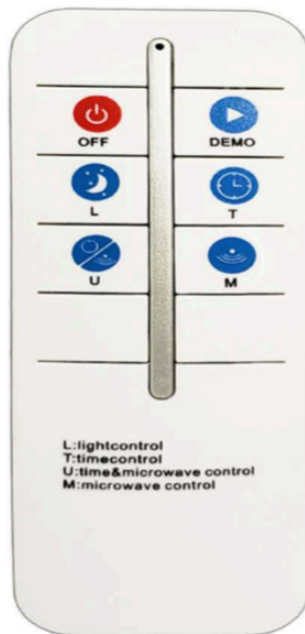






SHIXIN LIGHTING 14th years Gold Supplier








Jiangsu ShiXin Landscape Lighting Co., Ltd.

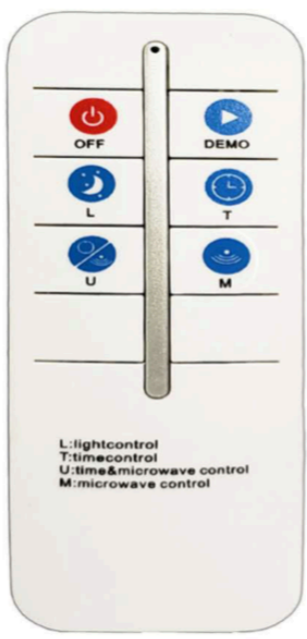






SX-TYN-50W	Features: 1. Best Materials- Aluminum alloy and outdoor PC + Thick leaf heat sink + complete-plate-made support= Strong + Best Heat dissipation, 2. Colorful flashlight on lamp as decoration lamp, can turn on / off this function at will. 3. Solar panel seperated, installation directions and the capacity of solar panel can change at will. 4. Stable microwave sensor, longer detect distance 5. 140° wide lighting angle, bring same lighting results with shotor pole 6. Easier to maintenance than other model, change battery just need 1 min. 7. Constant current discharge stable lighting + Night sensor + Microwave motion sensor + Time Controller (6,8,10,12hrs for choose)+ Remoter.		Sample	233	100+pcs	277
	LED	Bridgelux chips3030 (Life time 100000hours)	Lighting Mode			
	Lumen(LM)	5000LM	 <ul style="list-style-type: none">  No matter day or night, light "OFF"  No matter day or night, light "on" for 1 minute.  At night, 12hrs full power.  At night, 4hrs full power+8hrs 30%  At night, 4hrs full power+8hrs motion sensor control.  At night, 12hrs motion sensor control. 			
	Colour Temperture	6000K ~6500K (it can be customized)				
	Li-ion Battery	36AH 11.1V				
	Solar Panel	18V80W Imported High Efficiency Monocrystalline Silicon				
	Install Pole diameter	60-65mm				
	Mounting Height	6~8m (Suggest install between space 20-30m)				
	Solar Charging Time	4-5 hours by bright sunlight				
	Cloudy/Rainy days	10 -12 Cloudy/Rainy days				
	Material	High Class Aluminum (Appearance use imitation marble paint)				
	Product Size	598*230*261mm				
	LED Lamp	60PCS				
	Motion sensor	Yes (Macrowave Sensor)				
	Remote Control	Yes (Each per remote control)				
Waterproof	IP67					
Working Temperture	-25°C to 65°C					
Certificates	CE、ROHS、IP65					
Warranty	5Years					
		Packing: LED Lamp Packing Size: 690*340*300MM Q'ty/ctn: 1Set G.W: 12.5KG Solar Panel Packing Size: 1090*580*80MM Q'ty/ctn: 1Set G.W: 10KG Packs Containers: 20GP: 230Sets 40GP: 480Sets 40HP: 570Sets				


14th years Gold Supplier



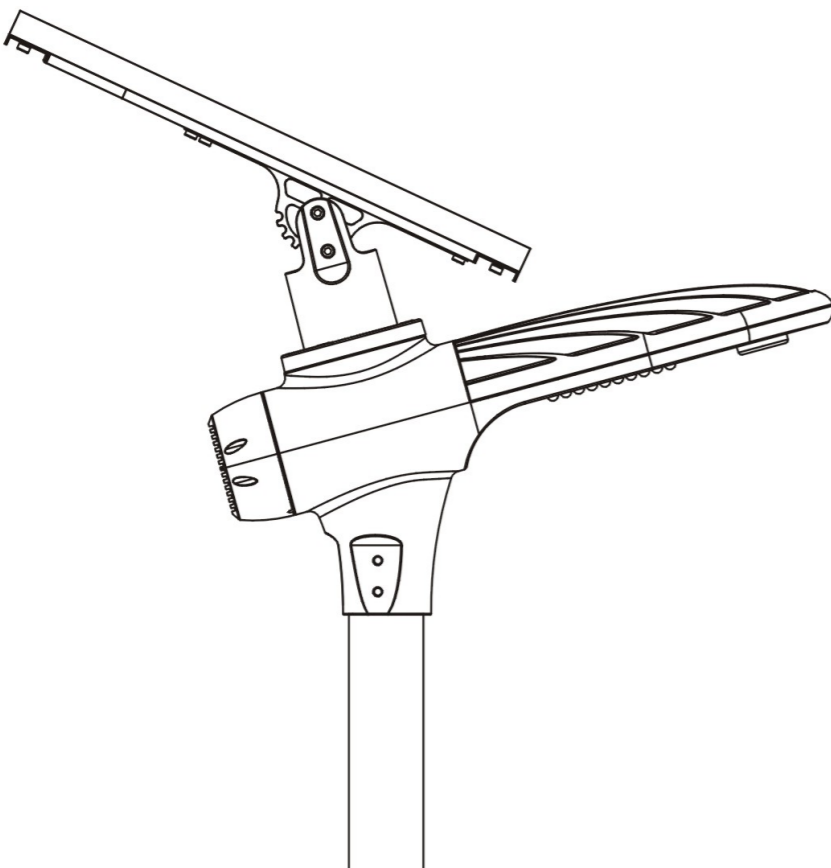


Jiangsu ShiXin Landscape Lighting Co., Ltd.

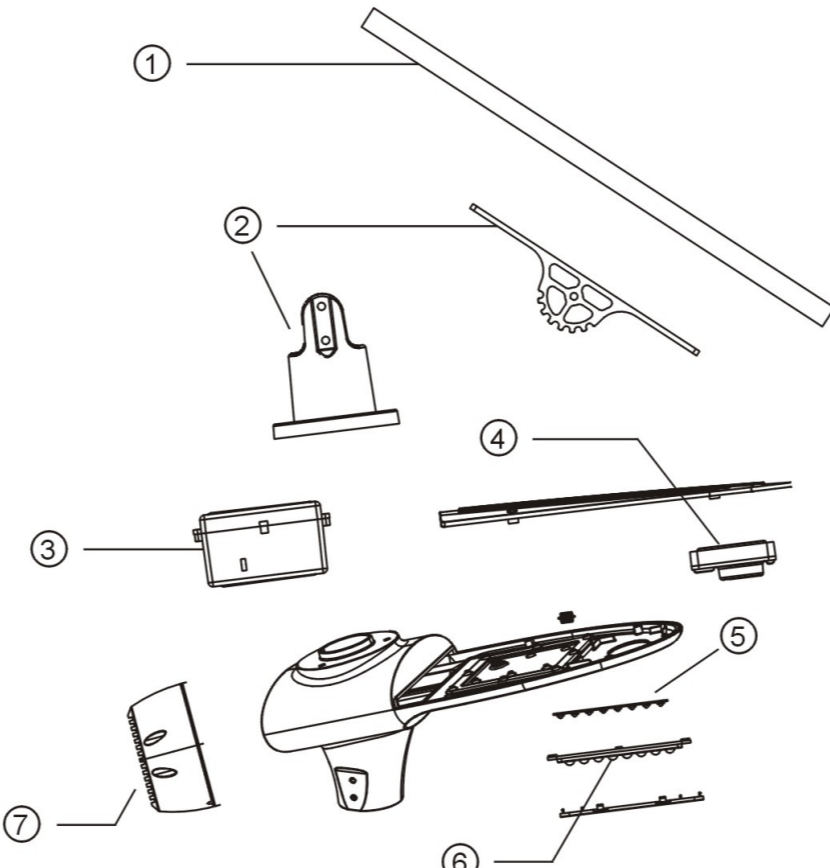
SX-TYN-60W	Features: 1. Best Materials- Aluminum alloy and outdoor PC + Thick leaf heat sink + complete-plate-made support= Strong + Best Heat dissipation, 2. Colorful flashlight on lamp as decoration lamp, can turn on / off this function at will. 3. Solar panel seperated, installation directions and the capacity of solar panel can change at will. 4. Stable microwave sensor, longer detect distance 5. 140°wide lighting angle, bring same lighting results with shotor pole 6. Easier to maintance than other model, change battery just need 1 min. 7. Constant current discharge stable lighting + Night sensor + Microwave motion sensor + Time Controller (6,8,10,12hrs for choose)+ Remoter.		Sample	266	100+pcs	262
	LED	Bridgelux chips3030 (Life time 100000hours)	Lighting Mode			
	Lumen(LM)	6000LM	 <ul style="list-style-type: none">  No matter day or night, light "OFF"  No matter day or night, light "on" for 1 minute.  At night, 12hrs full power.  At night, 4hrs full power+8hrs 30%  At night, 4hrs full power+8hrs motion sensor control.  At night, 12hrs motion sensor control. 			
	Colour Temperture	6000K ~6500K (it can be customized)				
	Li-ion Battery	42AH 11.1V				
	Solar Panel	18V100W Imported High Efficiency Monocrystalline Silicon				
	Install Pole diameter	60-65mm				
	Mounting Height	7~9m (Suggest install between space20-30m)				
	Solar Charging Time	4-5 hours by bright sunlight				
	Cloudy/Rainy days	10 -12Cloudy/Rainy days				
	Material	High Class Aluminum (Appearance use imitation marb				
	Product Size	598*230*261mm				
	LED Lamp	60PCS				
	Motion sensor	Yes (Microwave Sensor)				
	Remote Control	Yes (Each per remote control)				
Waterproof	IP67					
Working Temperture	-25°C to 65°C					
Certificates	CE、ROHS、IP65					
Warranty	5Years					
		Packing: LED Lamp Packing Size:690*340*300MM Q'ty/ctn:1Set G.W:13KG Solar Panel Packing Size: 1290*580*80MM Q'ty/ctn:1Set G.W:13KG Packs Containers: 20GP:220Sets 40GP:440Sets 40HP:530Sets				

User Manual

All-in-one solar street light

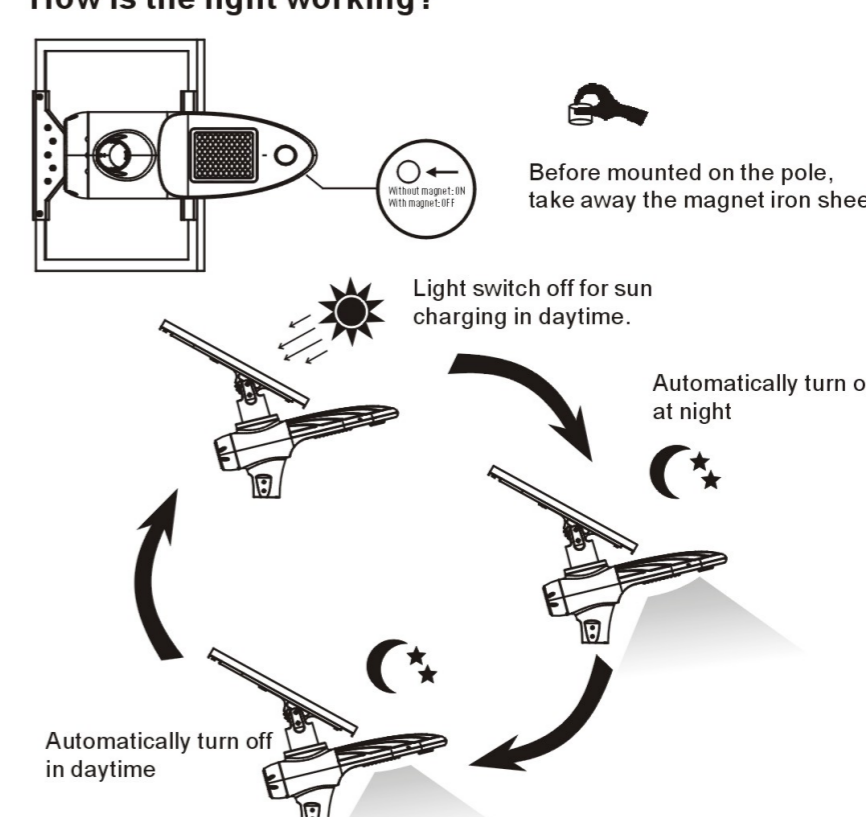


Structure specification:



- ① Solar panel
- ② Adjustable solar bracket
- ③ Lithium battery
- ④ Controller+ motion sensor
- ⑤ LED light source
- ⑥ Lens
- ⑦ Decorative light

How is the light working?

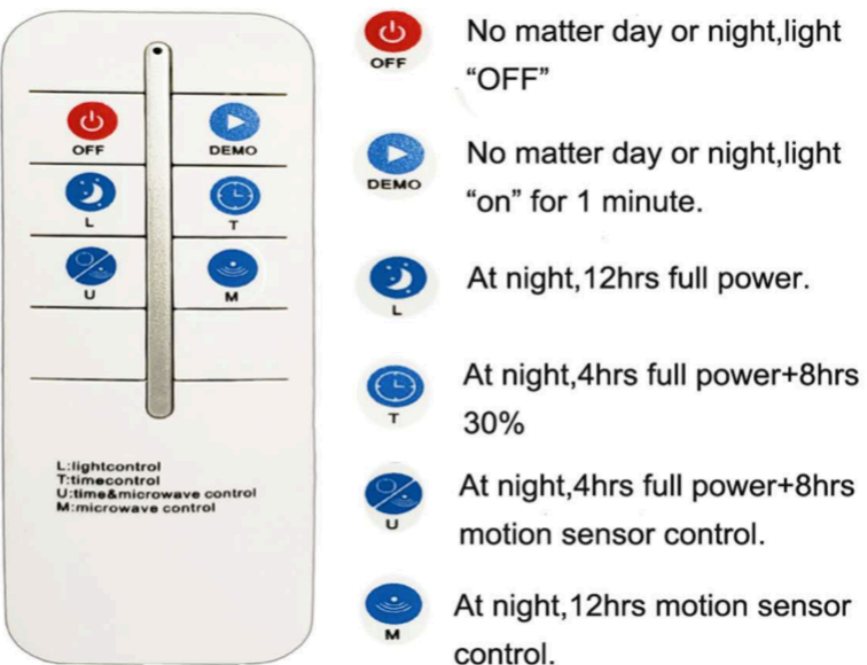


Before mounted on the pole, take away the magnet iron sheet.

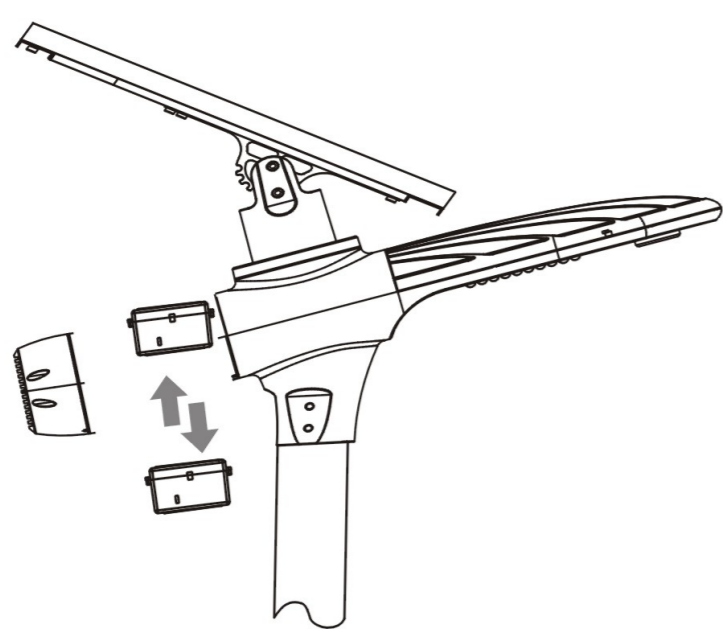
Light switch off for sun charging in daytime.

Automatically turn on at night

Automatically turn off in daytime

SX-TYN-80W	Features: 1. Best Materials- Aluminum alloy and outdoor PC + Thick leaf heat sink + complete-plate-made support= Strong + Best Heat dissipation, 2. Colorful flashlight on lamp as decoration lamp, can turn on / off this function at will. 3. Solar panel seperated, installation directions and the capacity of solar panel can change at will. 4. Stable microwave sensor, longger detect distance 5. 140° wide lighting angle, bring same lighting results with shotor pole 6. Easier to maintance than other model, change battery just need 1 min. 7. Constant current discharge stable lighting + Night sensor + Microwave motion sensor + Time Controller (6,8,10,12hrs for choose)+ Remoter.		Sample	335	100+pcs	331
	LED	Bridgelux chips5050 (Life time 100000hours)	Lighting Mode			
	Lumen(LM)	8000LM				
	Colour Temperture	6000K ~6500K (it can be customized)				
	Li-ion Battery	50AH 11.1V				
	Solar Panel	18V130W Imported High Efficiency Monocrystalline Silicon				
	Install Pole diameter	60-65mm				
	Mounting Height	8~10m (Suggest install between space25-35m)				
	Solar Charging Time	4-5 hours by bright sunlight				
	Cloudy/Rainy days	10 -12Cloudy/Rainy days				
	Material	High Class Aluminum (Appearance use imitation marble paint)				
	Product Size	598*230*261mm				
	LED Lamp	60PCS	Packing: LED Lamp Packing Size:690*340*300MM Q'ty/ctn:1Set G.W:14KG Solar Panel Packing Size: 1540*580*80MM Q'ty/ctn:1Set G.W:17.5KG Packs Containers: 20GP:200Sets 40GP:410Sets 40HP:490Sets			
	Motion sensor	Yes (Microwave Sensor)				
	Remote Control	Yes (Each per remote control)				
Waterproof	IP67					
Working Temperture	-25°C to 65°C					
Certificates	CE、 ROHS、 IP65					
Warranty	5Years					

How to replace battery?



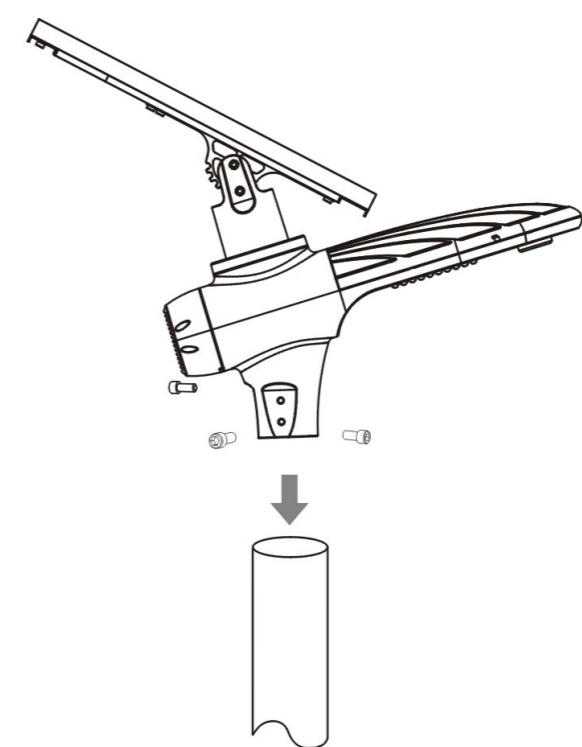
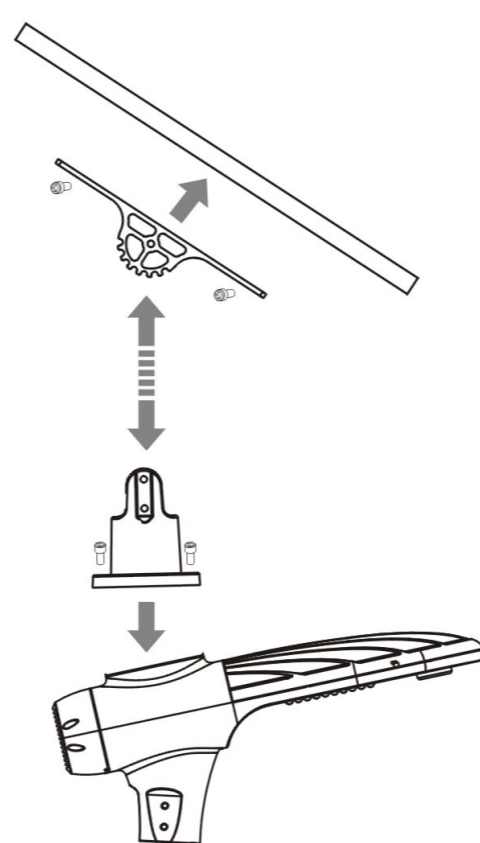
Battery replacement just need opening rear cover and replace with new battery directly, no need of taking apart whole luminary.

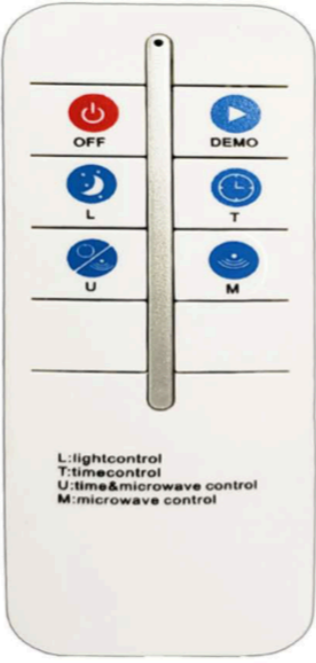
User manuel for remote controller:

- DEMO:** No matter day or night, light "on" for 1 minute. Only for test use.
- OFF:** No matter day or night, light "OFF".
- L:** At night, 12hrs full power.
- T:** At night, 4 hrs full power + 8hrs 30%.
- M:** At night, 12hrs motion sensor control.
- U:** At night, 4hrs full power + 8hrs motion sensor control.



How to install the device?



SX-TYN-100W	Features: 1. Best Materials- Aluminum alloy and outdoor PC + Thick leaf heat sink + complete-plate-made support= Strong + Best Heat dissipation, 2. Colorful flashlight on lamp as decoration lamp, can turn on / off this function at will. 3. Solar panel seperated, installation directions and the capacity of solar panel can change at will. 4. Stable microwave sensor, longger detect distance 5. 140°wide lighting angle, bring same lighting results with shotor pole 6. Easier to maintance than other model, change battery just need 1 min. 7. Constant current discharge stable lighting + Night sensor + Microwave motion sensor + Time Controller (6,8,10,12hrs for choose)+ Remoter.		Sample	409	100+pcs	403
	LED	Bridgelux chips5050 (Life time 100000hours)	Lighting Mode			
	Lumen(LM)	10000LM	 <p> OFF No matter day or night,light "OFF" DEMO No matter day or night,light "on" for 1 minute. L At night,12hrs full power. T At night,4hrs full power+8hrs 30% U At night,4hrs full power+8hrs motion sensor control. M At night,12hrs motion sensor control. </p>			
	Colour Tempreture	6000K ~6500K (it can be customized)				
	Li-ion Battery	63AH 11.1V				
	Solar Panel	18V160WImported High Efficiency Monocrystalline Silicon				
	Install Pole diameter	60-65mm				
	Mounting Height	9~12m (Suggest install between space30-40m)				
	Solar Charging Time	4-5 hours by bright sunlight				
	Cloudy/Rainy days	10 -12Cloudy/Rainy days				
	Material	High Class Aluminum (Appearance use imitation marble paint)				
	Product Size	598*230*261mm				
	LED Lamp	60PCS	Packing: LED Lamp Packing Size:690*340*300MM Q'ty/ctn:1Set G.W:15KG Solar Panel Packing Size: 1830*580*80MM Q'ty/ctn:1Set G.W:22KG Packs Containers: 20GP:190Sets 40GP:380Sets 40HP:460Sets			
	Motion sensor	Yes (Microwave Sensor)				
	Remote Control	Yes (Each per remote control)				
	Waterproof	IP67				
Working Tempreture	-25°C to 65°C					
Certificates	CE、ROHS、IP65					
Warranty	5Years					
Remarks: 1. Price in this offer are based on EXW price,not including Light pole,Shipping cost,tax and duties; 2. Payment Terms: 30%deposit ,balance before shipment . 3. Warranty: 5 years, we will be free maintenance or replacement damage parts during warranty period. 4. Quotation validity:20 days;Products specification and Price is depend on the confirm contract.						